

XIANNI 47" Pendant

3-6055-xx

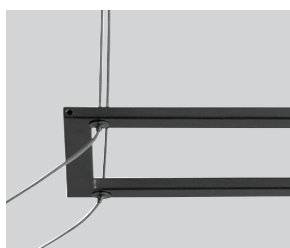
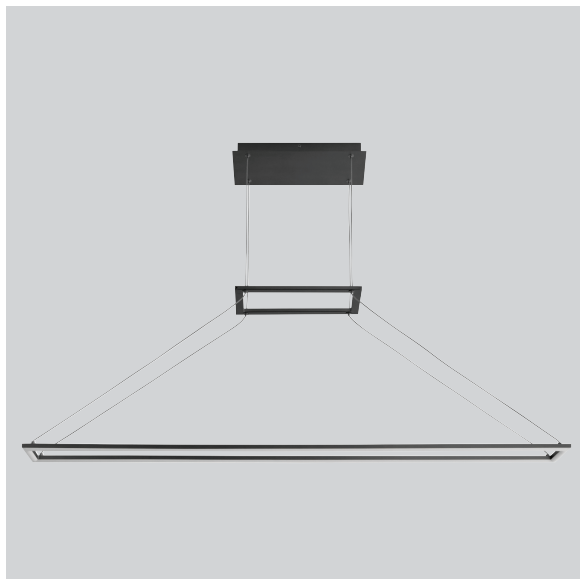
oxygen

FIXTURE TYPE _____

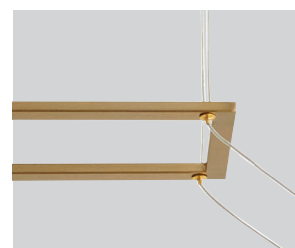
LOCATION _____

PROJECT _____

DATE _____



-15 Black



-40 AGB

LIGHT SOURCE (1x) 32W LED Array, Selectable Color Temperature, CRI 90

LUMINAIRE POWER TBD Input Power

RATED LIFE 50000 hr RL

TEMPERATURES Selectable **(CCT)** 3000/3500/4000K

LUMEN OUTPUT TBD

INPUT VOLTAGE 120V

DRIVER OUTPUT TBD

DIMMING TRIAC and ELV dimming at 120V AC

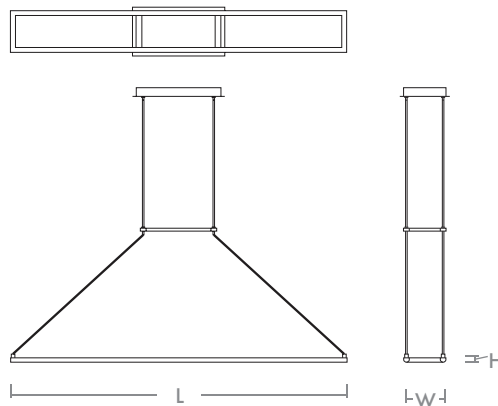
CONSTRUCTION Cold Rolled Steel Housing

DIFFUSER - Matte White Acrylic

FINISHES -15 Black, -40 AGB

MOUNTING 4" Octagonal J-Box

STANDARDS ETL Damp Listed, Conforms to UL STD 1598, Certified CAN/CSA STD C22.2 No 250.0.



DIMENSIONS

W: 6"

L: 47"

H: 0.375"

OAH: Adjustable

Order example for standard fixture:

3-6054-15 (x-xxx: LED Sequence # / -xx: Finish)

